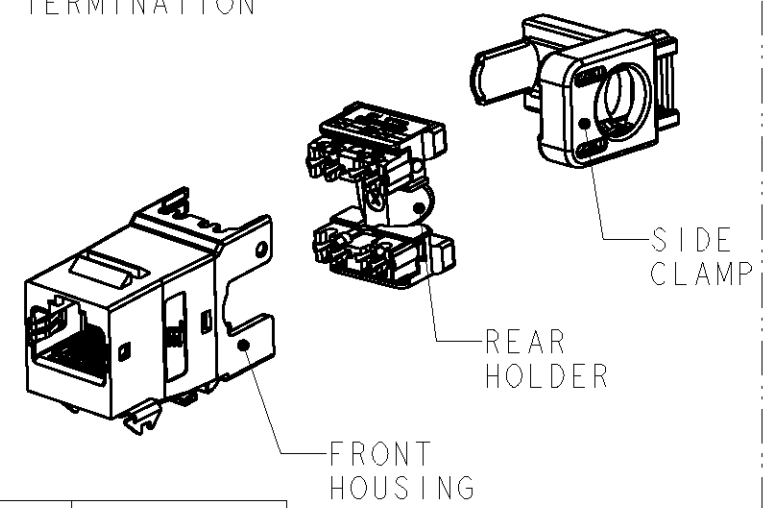


THIS DRAWING IS UNPUBLISHED. RELEASED FOR PUBLICATION 2008
 © COPYRIGHT 2008 BY TYCO ELECTRONICS CORPORATION. ALL RIGHTS RESERVED.

OPTIMIZED FOR F/UTP CABLES	1711343-2
OPTIMIZED FOR S/FTP and F/FTP CABLES	1711343-1
NOTE	PN-DASH

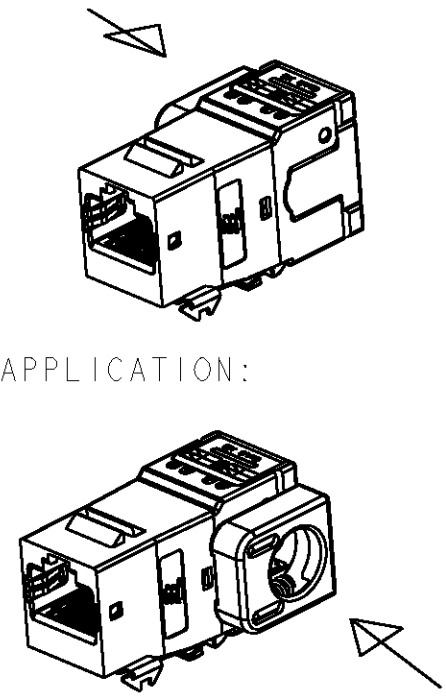
OPTIONS AFTER PRODUCT APPLICATION:
 RIGHT CABLE APPLICATION:

GENERAL VIEW:
 BEFORE TERMINATION



AS SHOWN	1711343-1
COMMENTS	PN

LEFT CABLE APPLICATION:



LOC	DIST	REVISIONS					
		P	LTR	DESCRIPTION	DATE	DWN	APVD
1K	2		A	FIRST ISSUE	08NOV2006	ACG	JS
			B	ECR-08-006695	13MAR2008	ACG	JS
			BI	ADDED DASH 2	14NOV2008	ACG	JS



MATERIAL:

- FRONT AND REAR HOUSING, CABLE CLAMP: ZAMAK 5. (Z410).
- IDC CONNECT BLOCK, DUST COVER AND LACING FIXTURE: POLYCARBONATE NATURAL.
- CUTTING BLADE, SPRINGS, LATCH AND SHIELD CONTACT POINT: STAINLESS STEEL.
- JACK CONTACTS: BERYLLIUM COPPER, PLATED WITH 1.27 um MINIMUM THICK GOLD IN LOCALIZED AREA AND 3.81 um MINIMUM THICK MATTE TIN IN SOLDER AREA OVER 1.27 um MINIMUM THICK NICKEL UNDERPLATE.
- IDC TERMINALS: PHOSPHOROUS BRONZE, PLATED WITH 3.81 um MINIMUM THICK BRIGHT MATTE TIN OVER 1.27 um MINIMUM THICK NICKEL UNDERPLATE.

2. AMP-TWIST-6S SL JACK WILL TERMINATE:

- SOLID CONDUCTORS: 22-24 AWG.
- STRANDED CONDUCTORS: 24-26 AWG.
- MAX. INSULATION DIAMETER: Ø1.60 mm.
- MAX. CABLE JACKET: Ø9.00 mm.



3. CAVITY ACCORDING TO IEC 60603-7-5 Ed. 1.0



4. MOUNTING PANEL THICKNESS 1.47-1.60 mm. (SEE SUGGESTED CUTOUT).



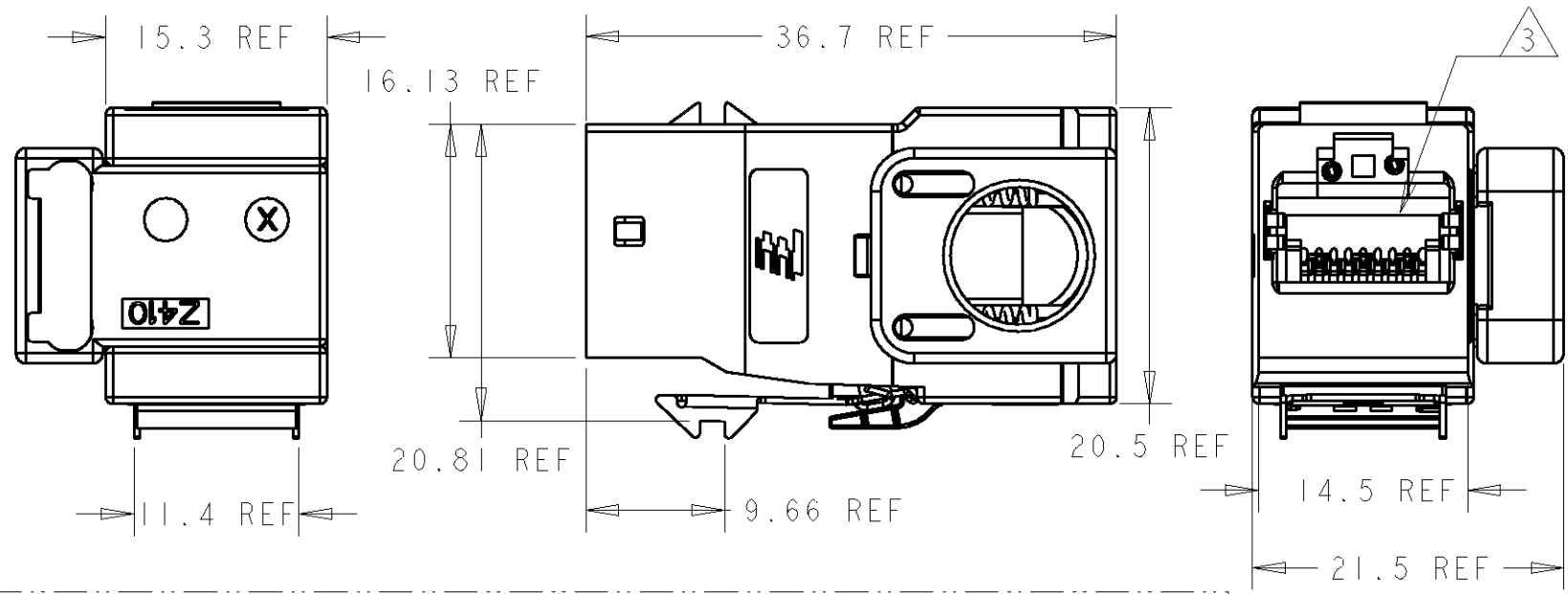
5. THESE TWO SUGGESTED CUTOUT OPENINGS ARE USED IN TANDEM WITH DUAL FRONT AND BACK CUTOUTS.



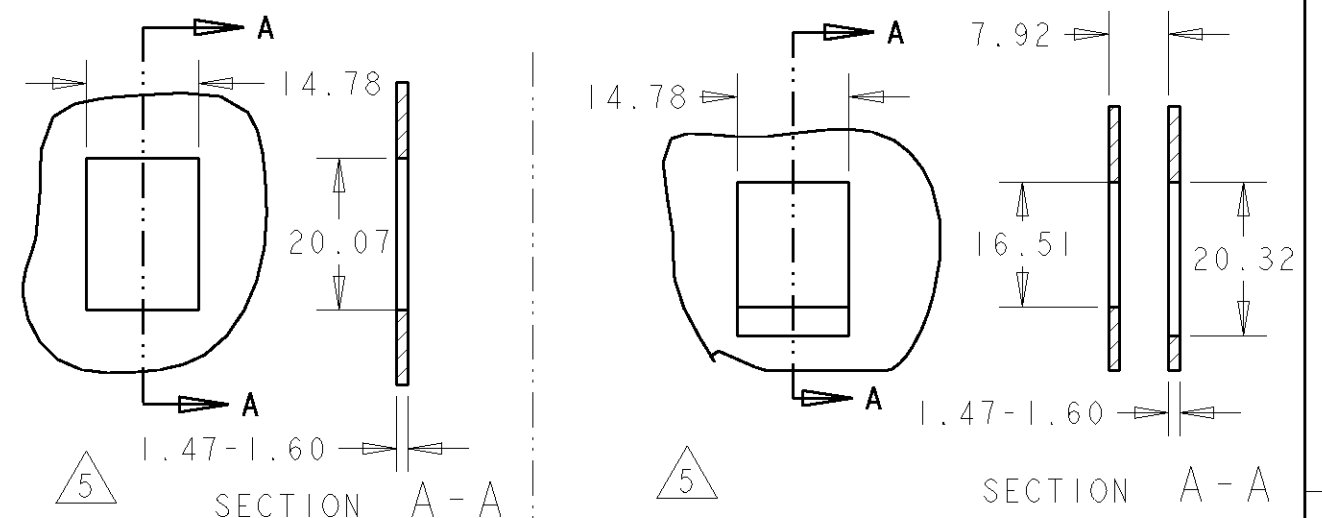
6. PACKAGING: ACCORDING TO SPEC. 107-93003. ONE SUB-ASSY FRONT HOUSING + ONE SUB-ASSY REAR HOLDER + ONE SUB-ASSY SIDE CLAMP AND ONE 1-SHEET PER POLYBAG.

7. REFER TO 411-93014 FOR TERMINATION INSTRUCTIONS USING SL SERIES TOOL TERMINATION: SL SERIES TOOL PN 1901551-1.

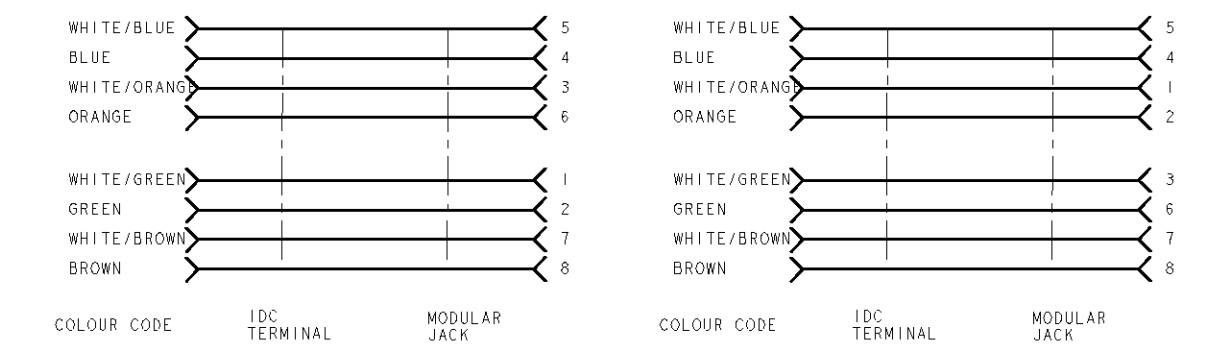
8. DIMENSIONS SHOWN ARE FOR REFERENCE ONLY.



SUGGESTED CUTOUT: SINGLE AND FLUSH-MOUNT APPLICATION



ELECTRICAL SCHEMATIC: WIRING T568 A/B



THIS DRAWING IS A CONTROLLED DOCUMENT FOR TYCO ELECTRONICS CORPORATION IT IS SUBJECT TO CHANGE AND THE CONTROLLING ENGINEERING ORGANIZATION SHOULD BE CONTACTED FOR THE LATEST REVISION.

DIMENSIONS:	TOLERANCES UNLESS OTHERWISE SPECIFIED:
mm	0 PLC ±
	1 PLC ±
	2 PLC ±
	3 PLC ±
	4 PLC ±
	ANGLES ±
MATERIAL	FINISH

DWN	08NOV2006
A. CARRERAS	
CHK	09NOV2006
J. SANABRA	
APVD	09NOV2006
J. SANABRA	
PRODUCT SPEC	108-93003
APPLICATION SPEC	411-93014
WEIGHT	-

Tyco Electronics AMP España, S.A. Barcelona, Spain.	
NAME	
AMP-TWIST-6S SL JACK SIDE EXIT W/O DUST COVER	
SIZE	RESTRICTED TO
A3	-
CAGE CODE	00779
DRAWING NO	C=1711343
SCALE	SHEET OF REV
	BI